

**DIECI**  
UNITED STATES



**Dieci United States**  
40851 Route 6 - Wyalusing, PA  
18853  
844-257-7903 Toll free  
[www.diecious.com](http://www.diecious.com)

DEDALUS



PERFORMANCE	32.6	28.7	30.7	28.9	30.9
Maximum capacity lb(kg)	6702(3040)	5853(2655)	6270(2844)	5862(2659)	6281(2849)
Maximum lifting height ft(m)	19.7(6)	20.8(6.35)	20.8(6.35)	28.5(8.7)	28.5(8.7)
Maximum horizontal outreach ft(m)	11.2(3.4)	12.3(3.75)	12.3(3.75)	19(5.8)	19(5.8)
Outreach at maximum height ft(m)	2.5(0.76)	3(0.9)	3(0.9)	3(0.9)	3(0.9)
Fork swivelling angle	146°	146°	146°	146°	146°
Pull-out force lbf(daN)	12814.2(5700)	12814.2(5700)	12814.2(5700)	12814.2(5700)	12814.2(5700)
Towing force lbf(daN)	12364.6(5500)	12364.6(5500)	12364.6(5500)	12364.6(5500)	12364.6(5500)
Maximum climb angle	40%	40%	40%	40%	40%
Total weight when empty lb(kg)	13007(5900)	13448(6100)	13448(6100)	13779(6250)	13779(6250)
Max speed mph(km/h) *	22(35)	22(35)	22(35)	22(35)	22(35)

\* = referred to wheels having the maximum allowable diameter

BOOM	32.6	28.7	30.7	28.9	30.9
Times (in seconds)					
Lifting	5.9	7.4	7.4	9.0	9.0
Descending	3.1	3.9	3.9	4.7	4.7
Extension	4.9	5.7	5.7	5.2	5.2
Retraction	2.7	3.2	3.2	2.9	2.9
Forward swivel	2.5	3.2	3.2	3.2	3.2
Backward swivel	1.6	2.1	2.1	1.7	1.7

Patented compensation system

ENGINE	
Model:	Kubota
Maximum power HP:	101
Revolutions per minute (rpm):	2600
Operation:	4-stroke diesel
Injection:	Electronic direct, Common Rail
Number and arrangement of cylinders:	4, vertical in line
Displacement in <sup>3</sup> (cm <sup>3</sup> ):	230(3769)
Specific consumption lb/Btu(g/kWh) @ rpm:	1492.3(231) @ 2600
After-treatment exhaust gas system	DPF (Stage 3B / Tier 4i)
	Turbo compressor
* at maximum power	Liquid cooling system

HYDRAULIC SYSTEM	32.6	28.7 - 30.7	28.9 - 30.9
Gear pump with max speed capacity USA gal/1'(l/1'):	30.38(115)	30.38(115)	
Max operating pressure psi(bar):	3553.4(245)	3335.9(230)	
Distributor control with joystick:	4 in 1 electro-proportional		

DIFFERENTIAL AXLES
Steering axles: 2, with planetary reduction gears
Steering types: 4-wheel / transversal / 2-wheel
Front axle: rigid
Rear axle: oscillating
Oil bath service braking on the front axle with servo-brake
Negative action parking brake.
<b>For machines with "Tractor" approval:</b>
Service brake in oil bath on the 4 wheel with a double hydraulic system and servo-brake

REFUELLING	
Hydraulic system (total) USA gal(l)	29(110)
Diesel tank USA gal(l)	26.4(100)

**OPTIONALS AND ACCESSORIES**

A/C; Water heaters; Pneumatic suspension seat; Headlight on boom head; Quick coupling for accessories; Radio; Anti-theft system; Window protection. LED work lights.

(For additional customizations, contact the local dealer)

**TRANSMISSION**

Hydrostatic transmission with variable displacement pump.

Hydrostatic engine with automatic variation.

Electrical - hydraulic reversing.

Inching pedal for controlled advancement.

Servocontrolled 2-speed gearbox.

**STANDARD DEVICES**

Anti-tipping device with peorative movement block.

Hydraulic socket for any accessories on the boom head.

Soundproof closed cab, ROPS-FOPS approved, with heating.

Self-blocking differential front axle (limited slip 45%).

Self-cleaning filter with cyclone filters.

Electric window winder. Digital speedometer.

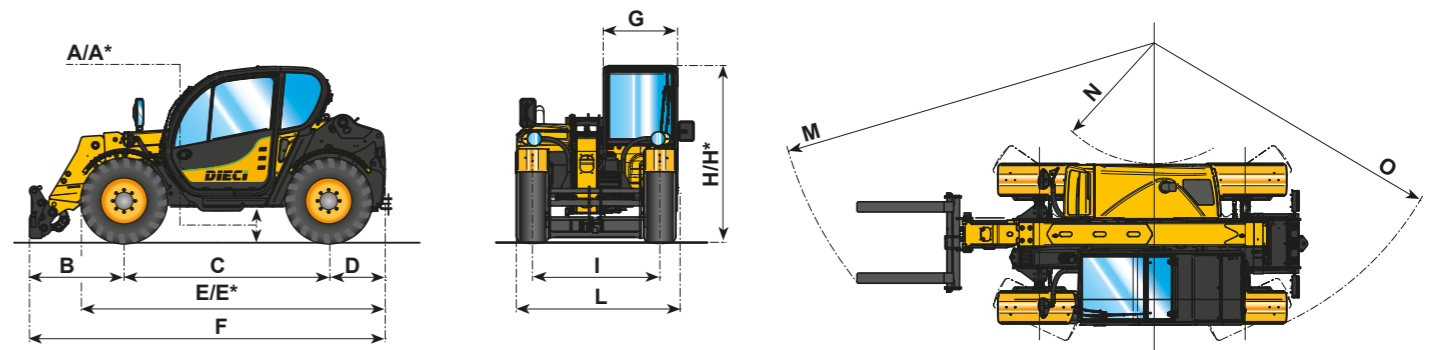
LCD display.

TYRES	32.6	28.7	30.7
Tyres	12.5x18"	405/70x20"	405/70x20"
(*) Alternative		405/70x24"	405/70x24"

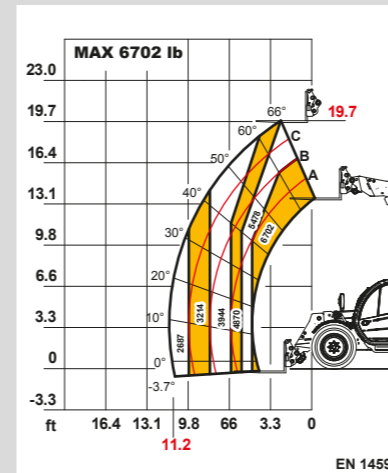
DIMENSIONS	32.6	28.7	30.7	28.9	30.9
A/A*	16(400)/17(440)*	16(400)/17(440)*	16(400)/17(440)*	16(400)/17(440)*	16(400)/17(440)*
B	47(1195)	52(1315)	52(1315)	49(1232)	49(1232)
C	102(2600)	110(2800)	110(2800)	110(2800)	110(2800)
D	28(700)	26(650)	26(650)	29(743)	29(743)
E/E*	151(3840)/153(3890)*	157(3990)/159(4040)*	157(3990)/159(4040)*	161(4087)/163(4137)*	161(4087)/163(4137)*
F	177(4495)	188(4765)	188(4765)	188(4775)	188(4775)
G	37(940)	37(940)	37(940)	37(940)	37(940)
H/H*	88(2240)/90(2280)*	80(2040)/82(2080)*	87(2220)/89(2260)*	80(2040)/82(2080)*	87(2220)/89(2260)*
I	63(1600)	63(1600)	63(1600)	63(1600)	63(1600)
L	79(2000)	79(2000)	79(2000)	79(2000)	79(2000)
M	190(4830)	193(4900)	193(4900)	193(4900)	193(4900)
N	60(1530)	66(1670)	66(1670)	66(1670)	66(1670)
O	154(3910)	157(4000)	157(4000)	157(4000)	157(4000)

Measurements expressed in: in(mm)

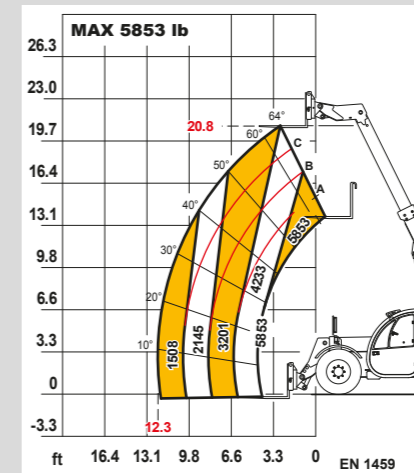
(\*) = Measurements referring to optional wheels



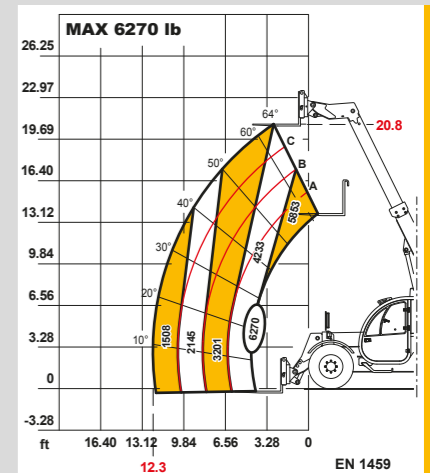
(\*) = Measurements referring to optional wheels



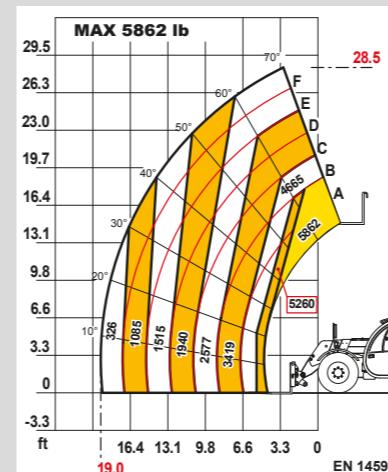
Dedalus 32.6



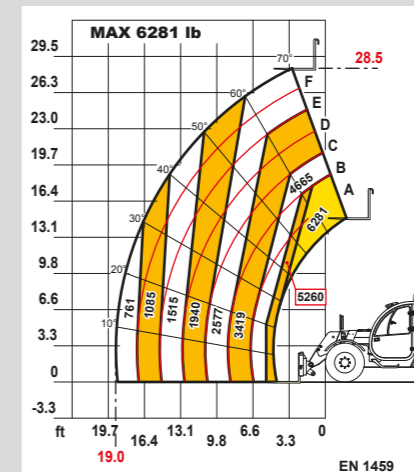
Dedalus 28.7



Dedalus 30.7



Dedalus 28.9



Dedalus 30.9