

ELECTRIC ARTICULATING BOOMS



HA32 CJ
HA32 CJ+

Excellent maneuverability

- Simultaneous drive and rotation
- Tight turning radius
- Zero tailswing
- Compact stowed height passes through standard doorways
- 3 ft 11 in width

Optimized productivity

- Long working cycles
- Suitable for indoor and outdoor use
- Long working cycles



© Aline Périer

www.haulotte-usa.com

Haulotte 
GROUP

More than lifting



HA32 CJ / HA32 CJ+



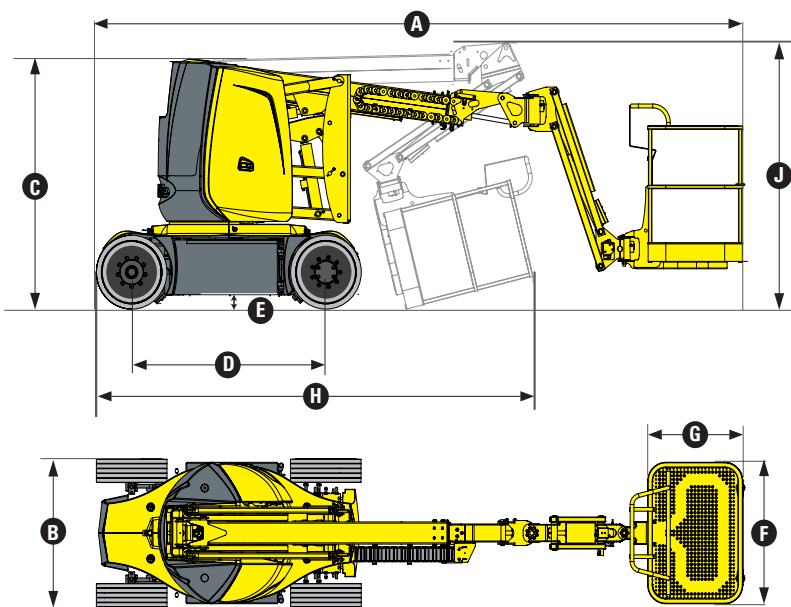
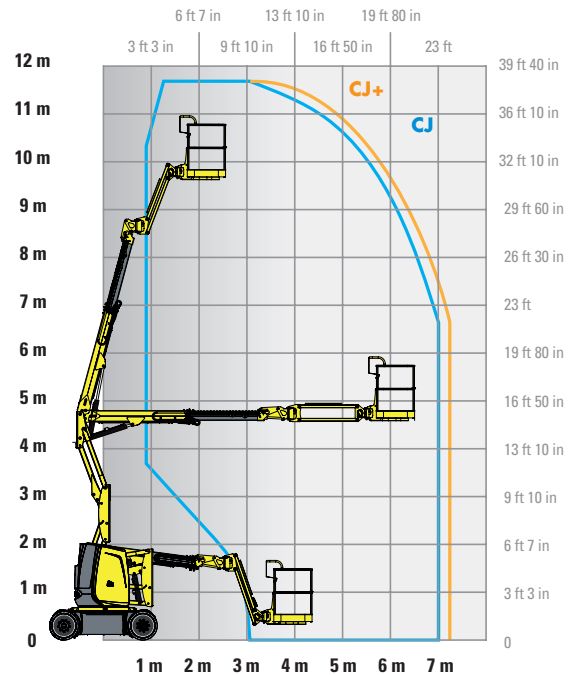
ELECTRIC ARTICULATING BOOMS

TECHNICAL DATA

HA32 CJ

HA32 CJ+

Working height	37 ft 9 in	37 ft 9 in
Platform height	31 ft 9 in	31 ft 9 in
Horizontal outreach	23 ft 2 in	24 ft 1 in
Up and over clearance	15 ft 7 in	15 ft 7 in
Lift capacity	550 lbs	500 lbs
F x G Platform size	3 ft 9 in x 2 ft 7 in	3 ft 9 in x 2 ft 7 in
A Length	17 ft 7 in	18 ft 6 in
B Width	3 ft 11 in	3 ft 11 in
C Height - stowed	6 ft 6 in	6 ft 6 in
H Transport length	12 ft 8 in	13 ft 9 in
J Transport height	7 ft 3 in	8 ft 6 in
Tailswing	0 in	0 in
Horizontal jib rotation	N/A	180° (-90/+90)
Vertical jib rotation	132.2° (+63.5/-68.7)	132.2° (+63.5/-68.7)
Platform rotation	180° (+90/-90)	180° (-90/+90)
Turntable rotation	355°	355°
D Wheelbase	5 ft 5 in	5 ft 5 in
E Ground clearance	5 in	5 in
Tilt alarm	3°	3°
Drive speed	0.4 - 3.7 mph	0.4 - 3.7 mph
Gradeability	25 %	25 %
Turning radius - outside	12 ft 0 in	12 ft 0 in
Tires	23.5x7.5	23.5x7.5
Batteries	48V - 320 Amph (C5)	48V - 320 Amph (C5)
Weight	15,578 lbs	15,678 lbs



STANDARD EQUIPMENT

- 2 wheel drive
- 48 V DC drive system
- Solid state battery charger
- Solid non-marking tires
- Towing hooks and lifting points
- Descent alarm
- Hour meter
- Low voltage interrupt
- Battery charge indicator
- Tilt alarm
- AC Power to the platform
- Automatic platform leveling
- Electronic horn
- Fully proportional controls
- Self-closing swing gate
- Auxiliary power in the platform for emergency down

OPTIONS AND ACCESSORIES

- Centralized battery filling
- Flashing beacon
- Motion alarm (travel and elevate)
- Fluorescent tube caddy
- Orange safety cone holder
- 70 W platform working light
- Air line to platform
- Working light
- Power to the platform
- Circuit breaker